



## EMERGENCY OPTIONS



- AS/NZS 2293.3:2018 Compliant
- Emergency Battery Life 3 Hours
- 4w Output on Emergency
- 480 Lumens on Emergency
- Lithium battery



MODEL	SLED-OYS-18
MODEL (EMERGENCY OPTION)	SLED-OYS-EMG-18
PRODUCT SIZE (MM)	330 x 65mm
IP RATING	44
MAX WATT	18W
LUMEN	1620LM
POWER(V/HZ)	220-240V/50-60Hz
CRI	RA≥80
PF	> 0.90
CCT	6000K
WORKING TEMPERATURE	-15°C~+45°C
DIMMING SENSOR	Yes
BEAM ANGLE	120°
FLICKERING/NON-FLICKERING	NON-FLICKERING

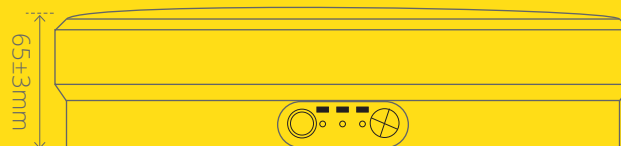
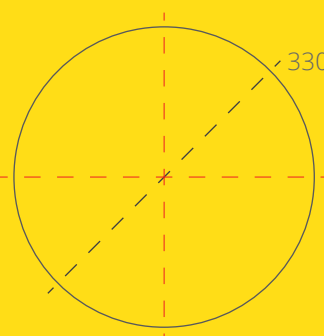


ESS  
APPROVED  
NSW

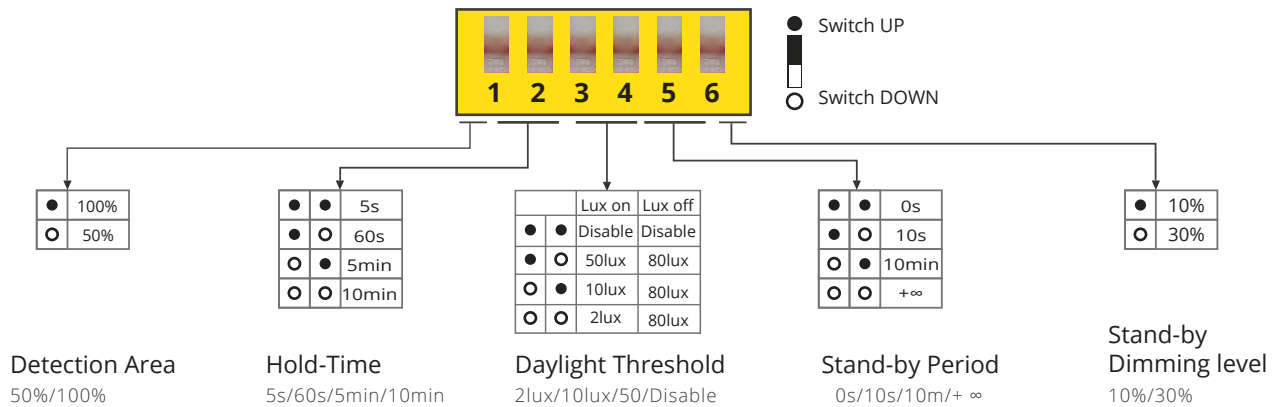
2293  
AS/NZS  
COMPLIANT



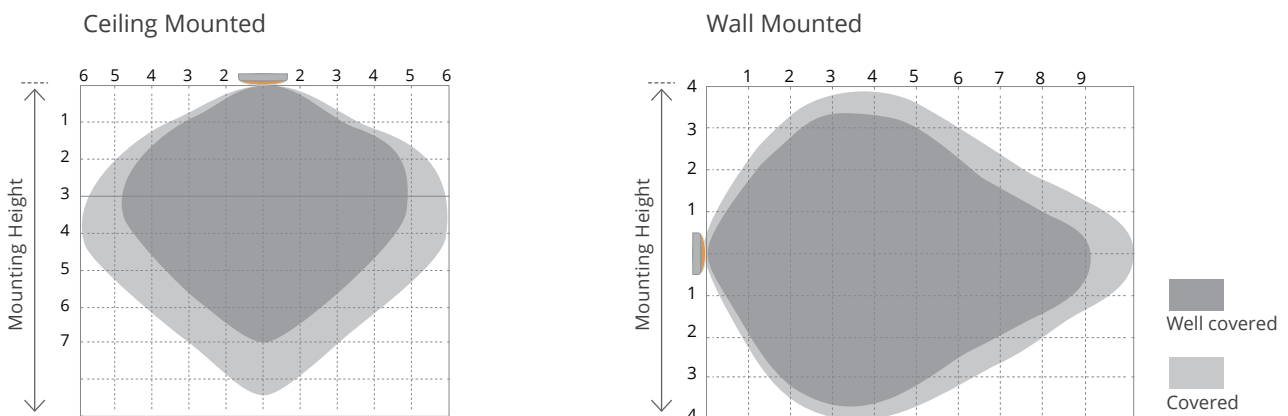
LM-79 LM-80



# SETTINGS



# DETECTION COVERAGE



# LUX ON/OFF

With Daylight priority function, HT19V-I is able to differentiate artificial light brightness from natural light after installed inside the fixture, and automatically turn off light when ambient brightness exceeds preset lux level.

Preconditions to use the Daylight priority function:

1. Standby period is +∞;
2. Standby dimming level is on 10% or 30%;
3. Daylight threshold is on 2Lux, 30Lux, 50Lux

